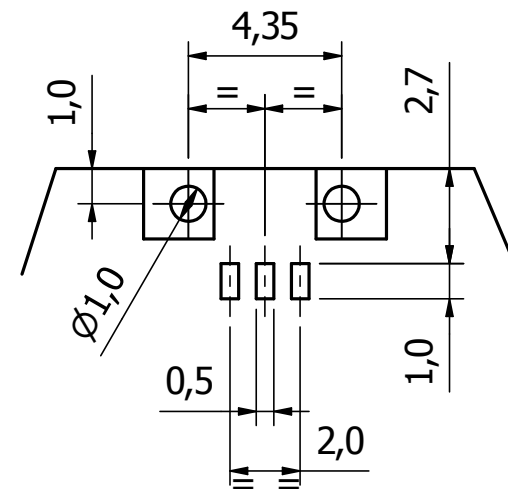
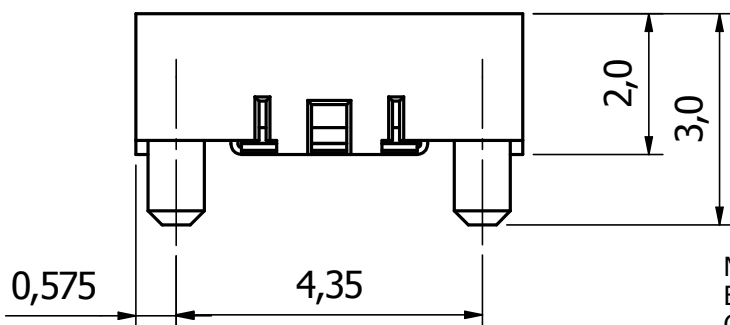
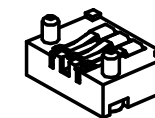
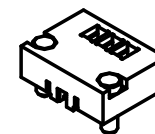
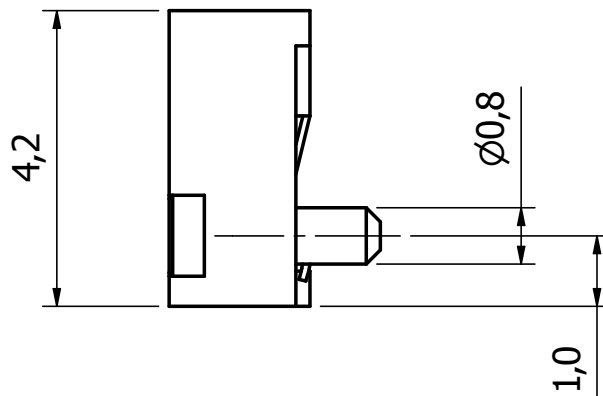
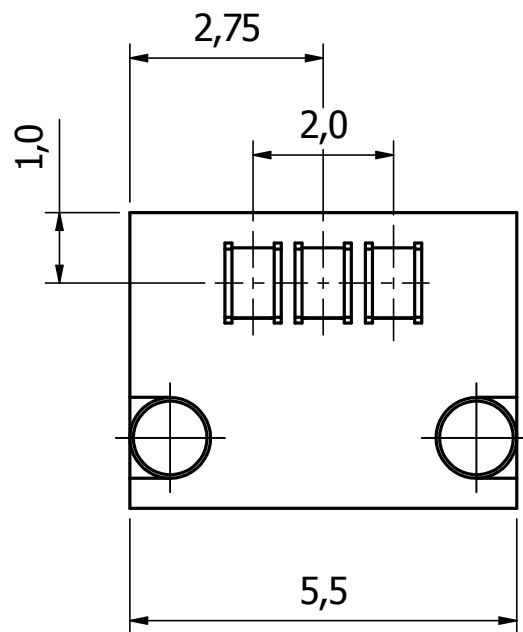


DRG No.
5010003

THIS DRAWING, INCLUDING ANY PATENTED OR PATENTABLE FEATURES IS COPYRIGHT
AND SHALL NOT BE LENT, COPIED OR IN ANY WAY REPRODUCED WITHOUT THE WRITTEN
PERMISSION OF SARANTEL LTD.

DO NOT SCALE IF IN DOUBT - ASK



PCB LAYOUT
5:1

MATERIAL:
BODY: PPA AFA-4133 V0 Z
CONTACTS: CuSn8 R600
PINS: CuZn38Pb2 R410

USED ON

AGK-4003

SARANTEL

UNIT 2 VENDEL POINT
RYLE DRIVE
PARK FARM IND EST
WELLINGBOROUGH
NN6 6AQ

Phone ++44 01933 670560
Fax ++44 01933 401155

TITLE
**GPSII SURFACE
MOUNT CONNECTOR**

DRN	MLT	PROTOTYPE	ENG CHECK	DATE
DATE	04/05/06	PRE-PROD	ENG. APPROVE	DATE
SCALE	10:1	PRODUCTION	PROD. APPROVE	DATE
DRG No.	5010003		ISSUE	SHEET
				1/1

MATERIAL	FINISH	TOLERANCES
		DIMENSIONS WITH NO DECIMAL PLACE : 0.5 DIMENSIONS WITH ONE DECIMAL PLACE : 0.1 DIMENSIONS WITH TWO DECIMAL PLACES : 0.05 OTHER TOLERANCES TO BE STATED ON DRAWING
THIRD ANGLE PROTECTION	REMOVE ALL BURRS AND SHARP EDGES	ALL DIMENSIONS IN MILLIMETRES