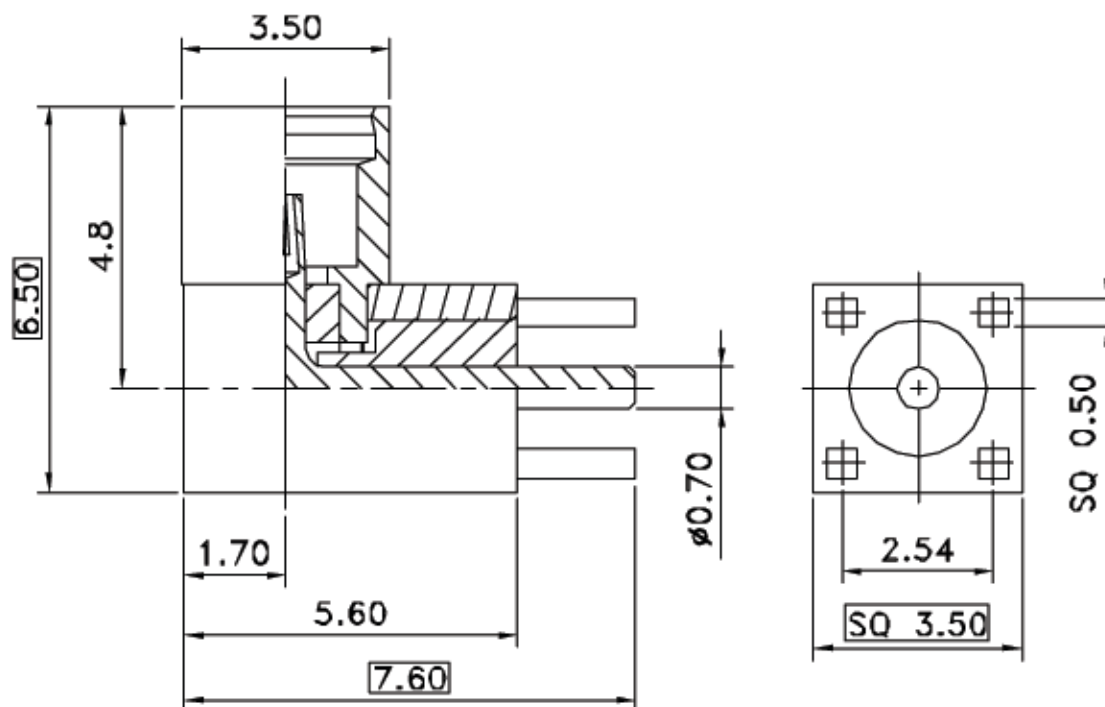


REV	DESCRIPTION	DRAWN	DATE

018 2410-000870



Check point

5	Dielectric	1	Teflon	None
4	Dielectric	1	Teflon	None
3	Pin	1	Brass	Gold
2	Body	1	Brass	Gold
1	Body	1	Brass	Gold
NO	Description	Q'ty	Material	Finish

UNLESS OTHERWISE SPECIFIED

1. REMOVE ALL BURRS.
2. BREAK ALL CONNERS & EDGES CO.15 MAX.
3. CHAMFER 1ST & LAST THREADS 45°.
4. DIAMETERS ON COMMON CENTERS TO BE CONCENTRIC WITHIN 0.1 TIR.
5. ALL DIMENSIONS ARE AFTER PLATING.

* MAJOR DIMENSION

- UNLESS OTHERWISE NOTED TOLERANCES
- 0.5-6=±0.2
 - 6-30=±0.4
 - 30-120=±0.6
 - 120-315=±1.0
 - ANGLES=±2°

SCALE 8/1 UNIT MM

APPROVED

CHECKED

DRAWN

BLUE

DRAWN DATE 06/05/02

S.P.K. Electronics Co., Ltd.

TITLE

MMCX FEMALE RIGHT ANGLE PCB

DRAWING NO.

MMB0143TGG

REV

FILE NO. (001) 811-TGG