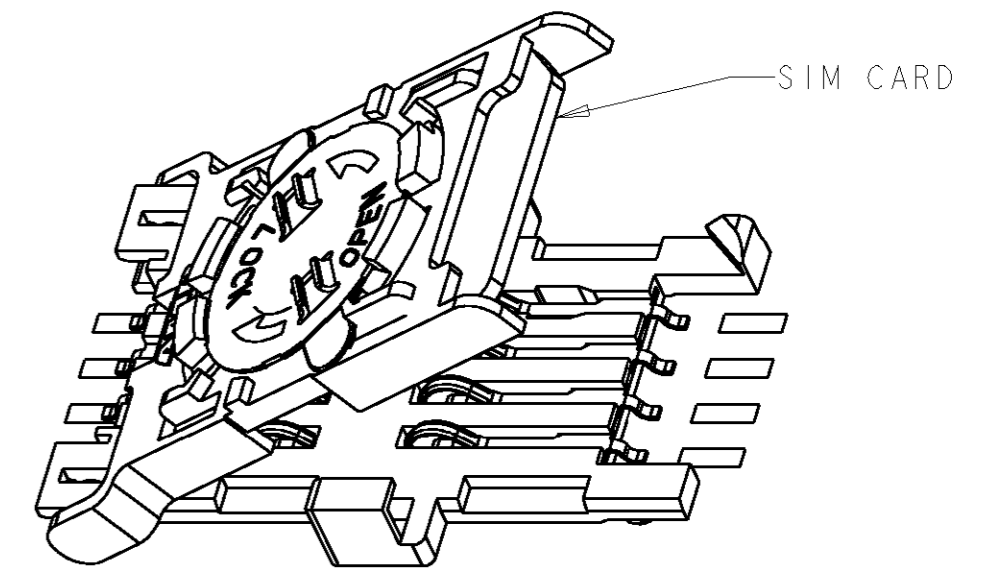
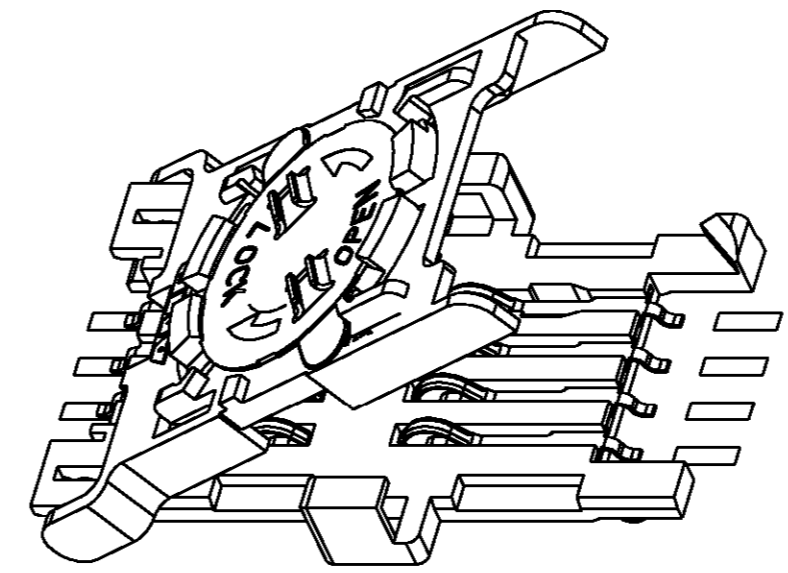
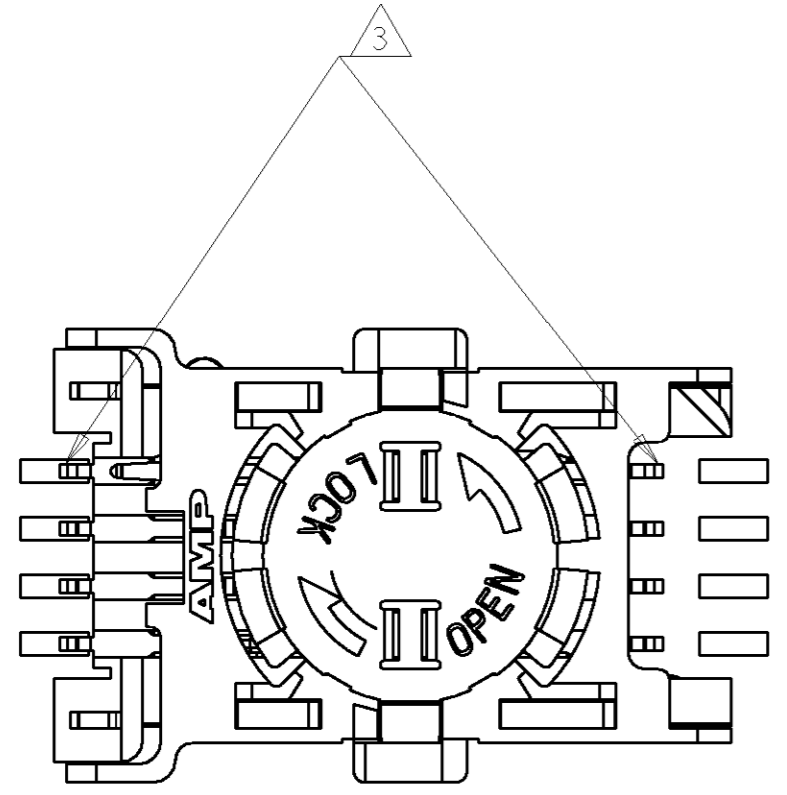


THIS DRAWING IS UNPUBLISHED. RELEASED FOR PUBLICATION .19
 © COPYRIGHT 19 BY AMP INCORPORATED. ALL RIGHTS RESERVED.

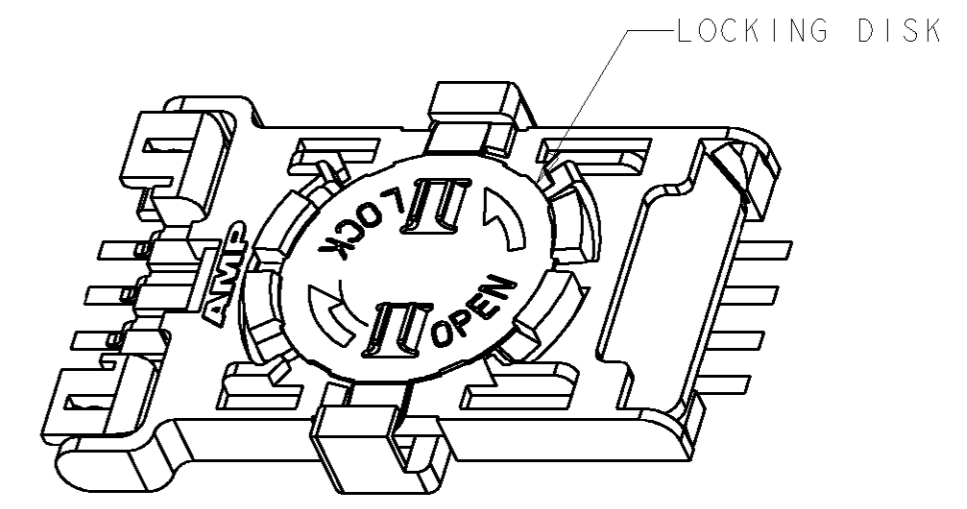
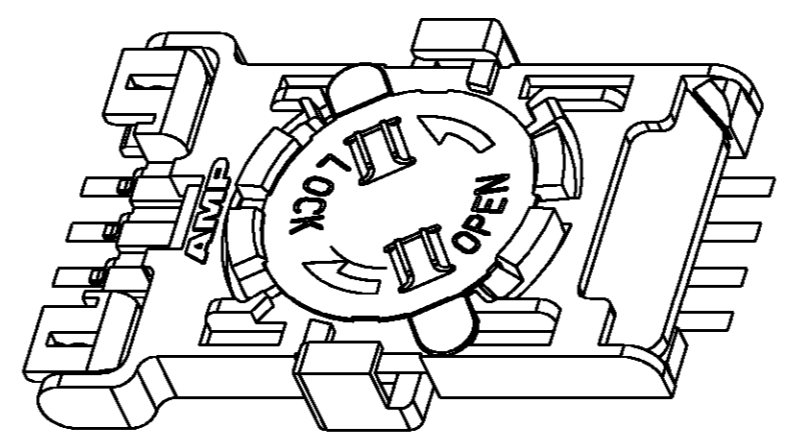
LOC	DIST	REVISIONS			
P	LTR	DESCRIPTION	DATE	DWN	APVD
	C	REVISED PER OSIA-0190-01	05NOV2001	JB	RW

- 1 MATERIAL: HOUSING: THERMOPLASTIC, CONTACTS: PHOSPHOR BRONZE
LOCKING DISK: STAINLESS STEEL
- 2 FINISH: CONTACTS: GOLD PLATE ON MATING SURFACE, TIN-LEAD ON
SOLDER TAIL, ALL OVER NICKEL UNDERPLATE.
- 3 CARD DETECTOR SWITCH CONTACTS IF APPLICABLE.
- 4 DATUMS AND DIMENSIONS ESTABLISHED BY CUSTOMER.



CONNECTOR SHOWN OPEN WITH HINGED COVER AND LOCKING MECHANISM

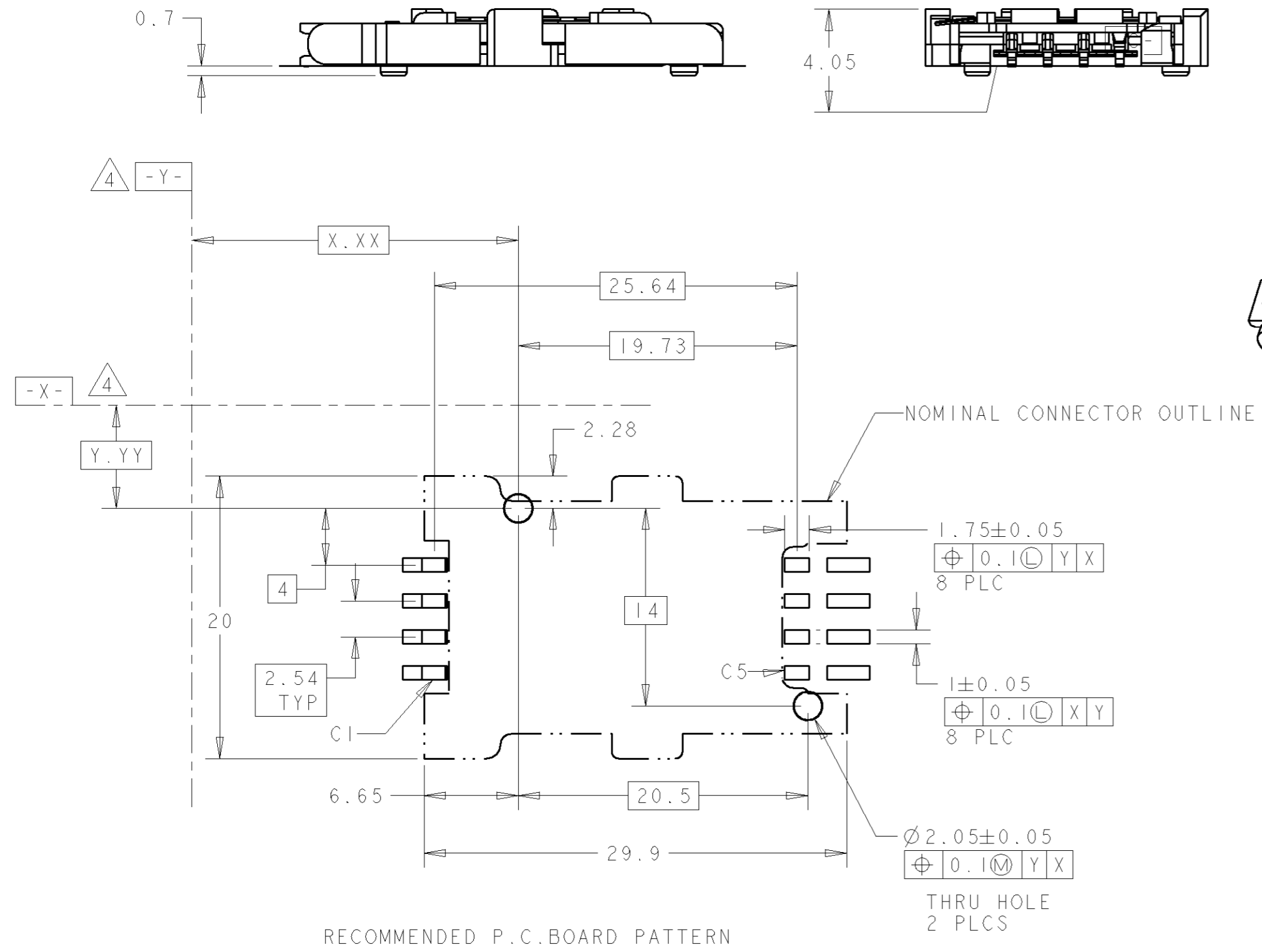
STEP 1
SLIDE SIM CARD INTO LID



STEP 2
ROTATE LID DOWN TO HORIZONTAL POSITION

STEP 3
ROTATE LOCKING DISK CLOCKWISE TO SECURE SIM CARD IN READABLE POSITION

TO REMOVE CARD, ROTATE LOCKING DISK COUNTER CLOCKWISE, SIM CARD WILL THEN BE ACCESSIBLE AS SEEN IN STEP 1.



8	145299-2
6	145299-1
POSITIONS	PART NUMBER

<small>THIS DRAWING IS A CONTROLLED DOCUMENT FOR AMP INCORPORATED. IT IS SUBJECT TO CHANGE AND THE CONTROLLING ENGINEERING ORGANIZATION SHOULD BE CONTACTED FOR THE LATEST REVISION.</small>		DWN R BROWN 14AUG98 CHK K BENJAMIN 14AUG98 APVD V RUMINSKI 14AUG98	AMP Tyco Electronics Harrisburg, PA 17105-3608
DIMENSIONS: mm 	TOLERANCES UNLESS OTHERWISE SPECIFIED: 0 PLC ± 1 PLC ± 2 PLC ± 3 PLC ± 4 PLC ± ANGLES ± FINISH	PRODUCT SPEC - APPLICATION SPEC - WEIGHT -	NAME SIM/SAM CONNECTOR WITH LID, 8 POSN OR 6 POSN WITH SWITCH, SURFACE MOUNT SIZE A2 CAGE CODE 00779 DRAWING NO. 145299
MATERIAL	FINISH	CUSTOMER DRAWING	SCALE 3:1 SHEET 1 OF 1 REV C