

# GPS Active Antenna *ESG-GPSGLNS-09*

**ELECTRONICS SOLUTION GROUP LIMITED**  
[www.electronics-solution.com](http://www.electronics-solution.com)

<b>I ●Electrical Specifications</b>	
<b>Model</b>	<b>ESG-GPSGLNS-09</b>
<b>Frequency Range</b>	<b>1575MHZ/1602MHZ</b>
<b>Band width</b>	<b>±5 MHz</b>
<b>LNA Gain</b>	<b>29±2 dB Typical</b>
<b>Noise Figure</b>	<b>1.5 dB</b>
<b>DC Voltage</b>	<b>2.2-5.0V</b>
<b>DC current</b>	<b>5-15mA</b>
<b>DC current</b>	<b>Black</b>
<b>V.S.W.R</b>	<b>1.5 : 1</b>
<b>Radiation</b>	<b>Direction</b>
<b>Polarization</b>	<b>RHCP</b>
<b>Impedance</b>	<b>50Ω</b>
<b>Operating Temperature</b>	<b>-40℃ to+85℃</b>
<b>Connector</b>	<b>SMA Male</b>
<b>Cable Type</b>	<b>RG174</b>
<b>Cable Length</b>	<b>3 M</b>
<b>Humidity</b>	<b>55%-75%RH</b>
<b>Waterproof</b>	<b>IP65</b>
<b>Mount way</b>	<b>Screw</b>
<b>II●Mechanical Specifications</b>	
<b>Antenna Dimension</b>	<b>47*14 MM</b>
<b>Weight</b>	<b>60 G</b>



Antenna factory

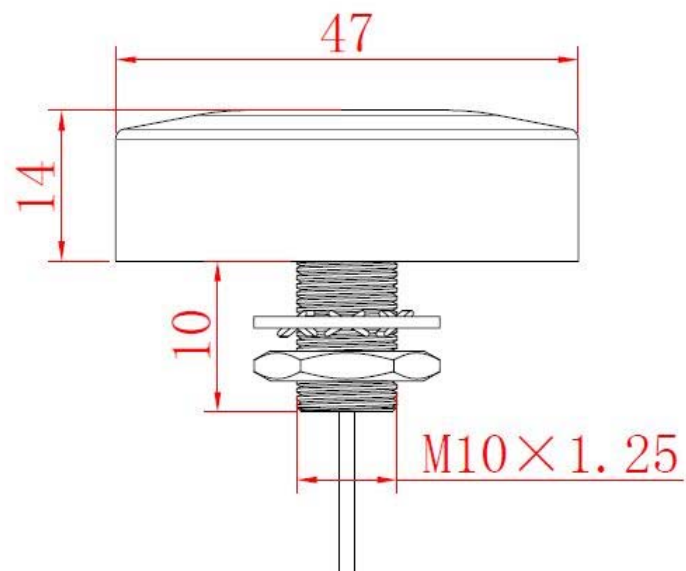
E-mail:[sales@electronics-solution.com](mailto:sales@electronics-solution.com)

## 二、PRODUCT SPECIFICATION CHART

### 1. Picture



### 2. Dimension



### 三、PATTERN



Antenna factory

E-mail: [sales@electronics-solution.com](mailto:sales@electronics-solution.com)