



# Tekfun Co., Ltd.

## SPECIFICATION FOR APPROVAL

**CUSTOMER** \_\_\_\_\_

**DESCRIPTION** Iridium Passive External Antenna

**PART NO.** Iridium-06Y

**DATE** \_\_\_\_\_

<b>DESIGNER</b>		<b>DIRECTOR</b>	
-----------------	--	-----------------	--

Approved by Customer/date:

---

## ANTENNA SPECIFICATIONS FOR APPROVAL

### 1 GENERAL DESCRIPTION

1.1 Type No. : Iridium-06Y

1.2 Customer P/N :

### 2 ELECTRICAL CHARACTERISTICS

<b>Electrical</b>	
Operating Frequency	1616-1626 MHz
Impedance	50 Ohm
Bandwidth	20 MHz min. @S11≤-10 dB
Polarization	RHCP
Axial	3 dB typ.
Gain at Zenith	4.0 dBic typ. on the 75mm square ground plane 1.5 dBic typ. without ground plane
RG174 Cable Loss	3.9 dB @ 3M
<b>Mechanical</b>	
Main Body Size	41.98 x 33.99 x 14.5mm
Connector	SMA Male or others (optional)
Cable Length	10 feet (3M) or OEM length
Operating Temp.	-40 degree to 80 degree

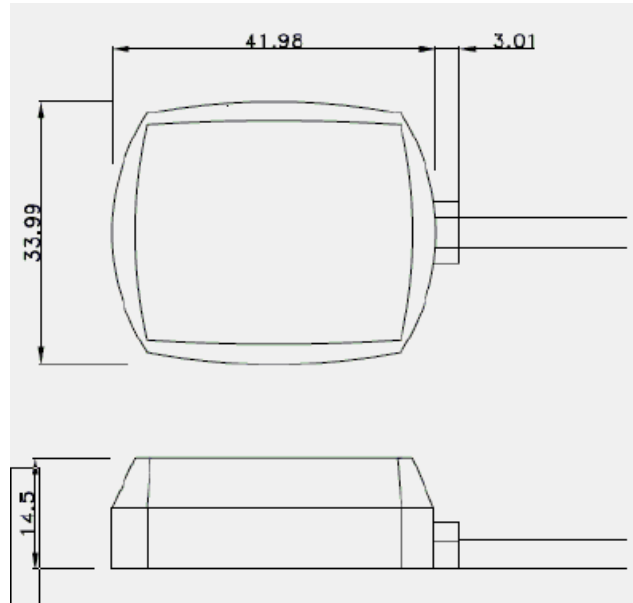
### 4. Product Photo



## ANTENNA SPECIFICATIONS FOR APPROVAL

### 5. Drawing, Dimension

- Size: 41.98 x 33.99 x 14.5mm
- Color: Black
- Cable: RG174 3m/5m or customized length



### 6. Connector and Cable (Optional)

00: No connector	99:MMCX S/T	98:MMCX R/A	97:MCX S/T
96:MCX R/A	95:SMA Male	94: SMA Male RP	93:SMB S/T
92:SMB R/A	91:GT5	90:BNC	89:FRAKA

**Cable: RG174 3m/5m or customized length**

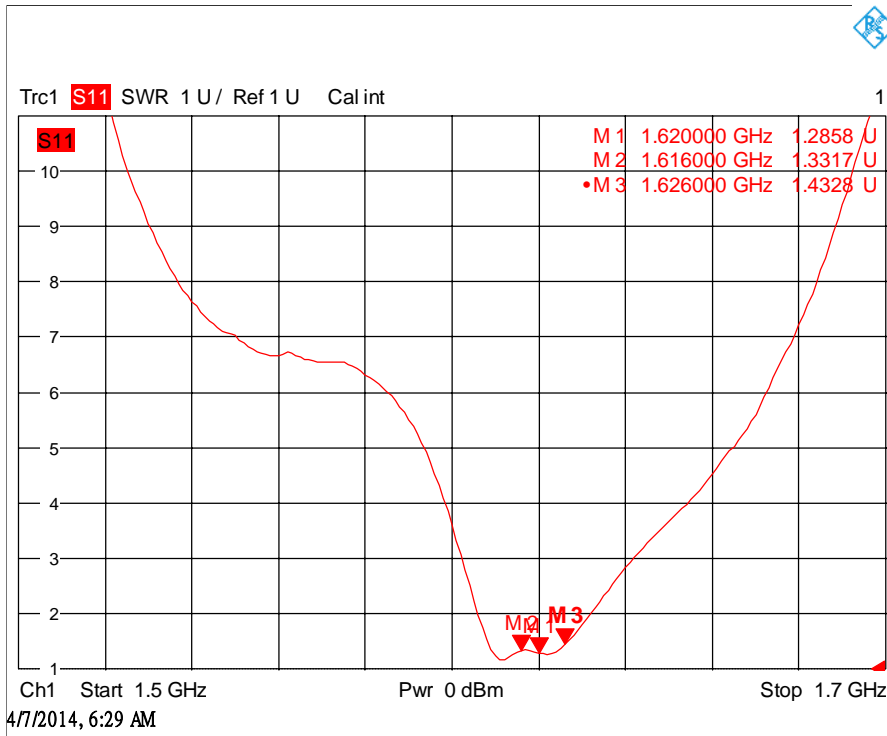
### 7. Operating & Storage Condition:

- Temperature : -40 ~ +80 °C
- Humidity : 10 ~ 95% RH

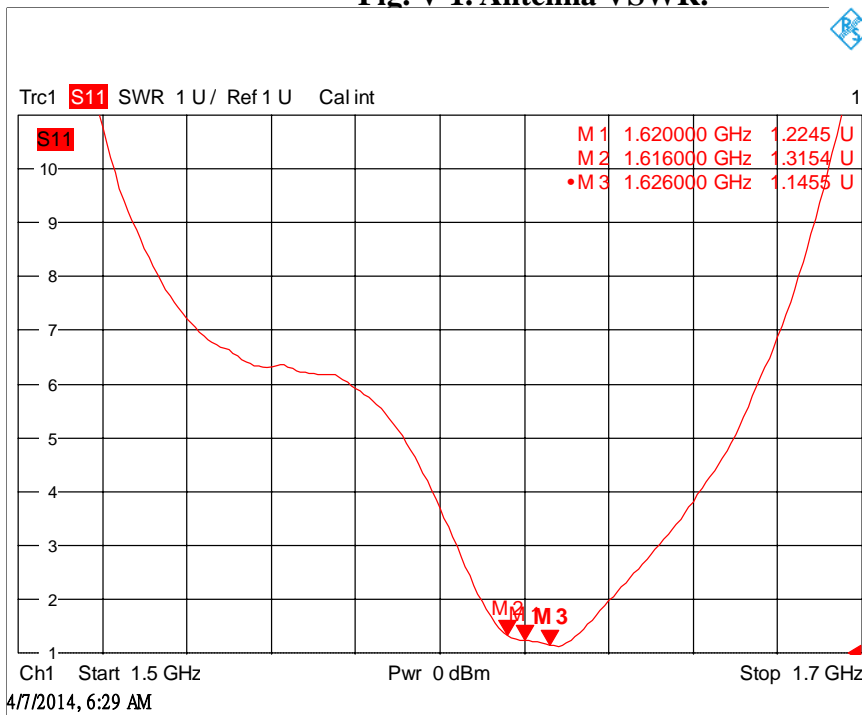
### 8. Package: PE Bag/each

## ANTENNA SPECIFICATIONS FOR APPROVAL

9. TEST



**Fig. V-1. Antenna VSWR.**



**Fig. V-2. Antenna VSWR mounting on a 75mm square ground plane.**