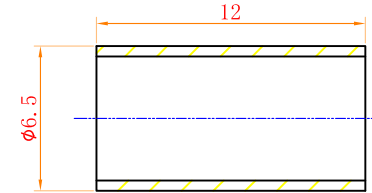
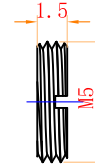
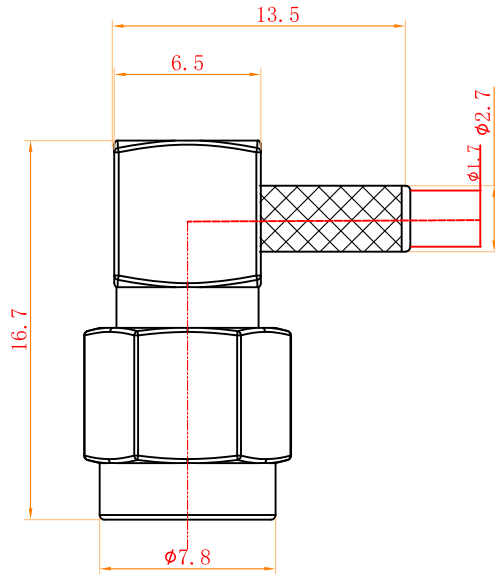


Drawing

3.2  
表面精度

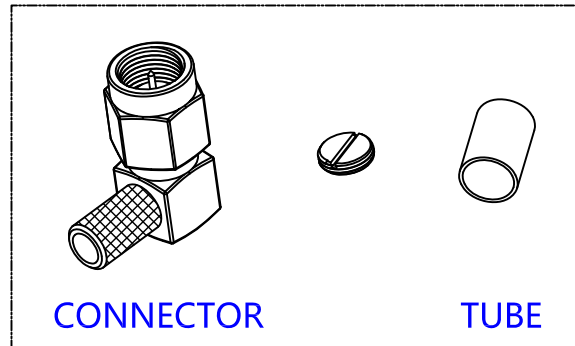
Product Type  
RF Connector

P/N:AC-SMAM  
-RA-174/316



**AC-SMA M RA-174/316**

- 1. Material: Brass.
- 2. Finish: Gold.
- 3. Impedance: 50ohm.
- 4. Temperature range: -65~+165°C°
- 5. Fre: 0-6GHz.
- 6. Weight: 10g.
- 7. VSWR : ≤1.15
- 8. Durability(mating) : ≥500(cycles)



CONNECTOR

TUBE

technology: RoHs



ASIAN CREATION COMMUNICATION CO.,LTD  
www.acantenna.com

|     |          |             |          |         |                    |      |      |        |       |
|-----|----------|-------------|----------|---------|--------------------|------|------|--------|-------|
| 3   |          |             |          |         |                    |      |      |        |       |
| 2   |          |             | STANDARD | P/No:   | AC-SMAM RA-174/316 | Qty  | 1PCS | DR.    | GT.Z  |
| 1   |          |             |          | SPEC    |                    | Wet  | 10g  | VENDER | VIVIS |
| NO. | PARTNAME | DESCRIPTION | MATERIAL | DWG NO. | 2011AC-SMA-MW-7    | REV  | A    | CHKD   | BEN   |
|     |          |             |          | SHEET   | 1/1                | UNIT | MM   | 投影法    | DAY   |