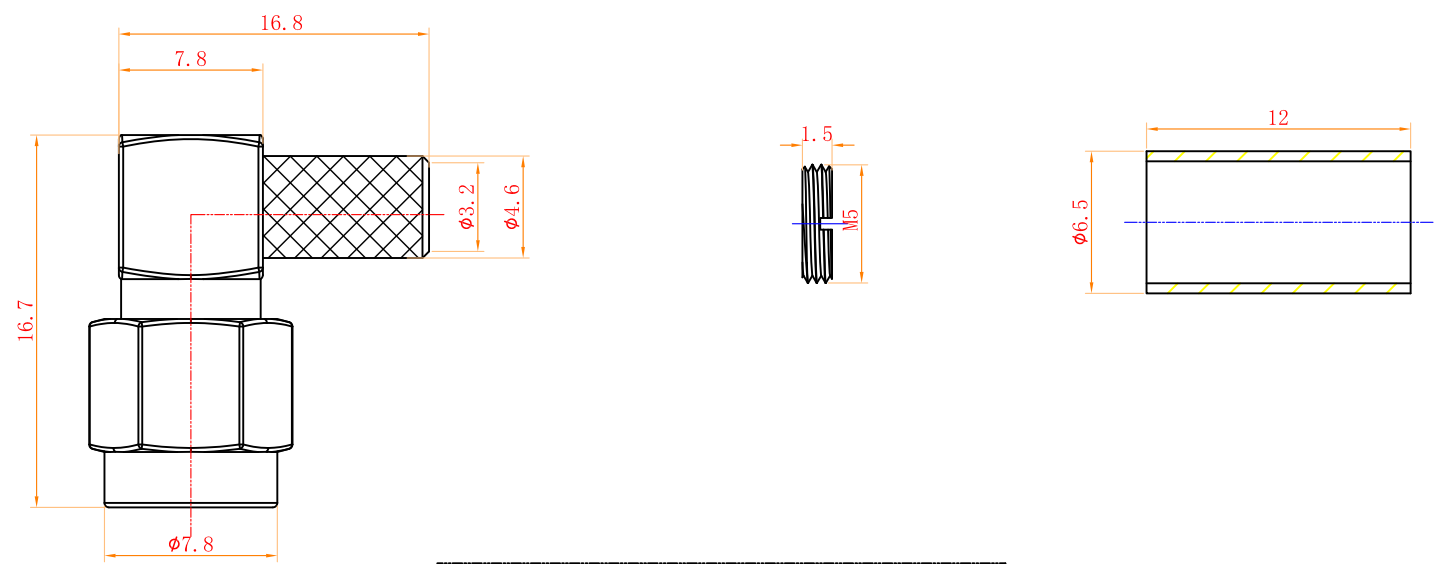


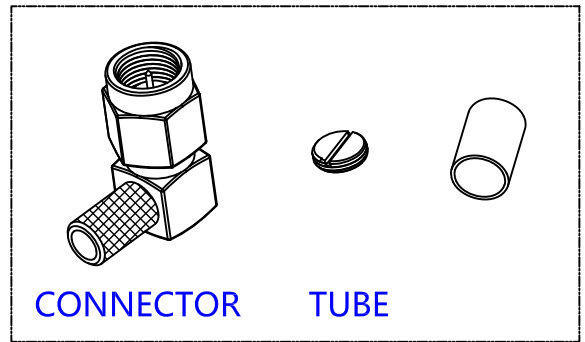
Drawing

Product Type RF Connector	P/N:AC-SMAM RA-58
------------------------------	----------------------



**AC-SMA M RA-195**

1. Material: Brass.
2. Finish: Gold.
3. Impedance: 50ohm.
4. Temperature range: -65~+165°C°
5. Fre: 0-6GHz.
6. Weight: 10g.
7. VSWR : ≤ 1.15
8. Durability(mating) : ≥ 500(cycles)



1	SHELL	BRASS	1	GOLD PLATED
2	INSULATOR	PTFE	1	
3	CONTACT PIN	BRASS	1	GOLD PLATED
4				
5				
6				

technology: **RoHs**



ASIAN CREATION COMMUNICATION CO.,LTD  
www.acantenna.com

3									
2			STANDARD	P/No:	AC-SMAM RA58	Qty	1PCS	DR.	GT.Z
1				SPEC		Wet	10g	VENDER	VIVIS
NO.	PARTNAME	DESCRIPTION	MATERIAL	DWG NO.	2011AC-SMA-MW-3	REV	A	CHKD	BEN
				SHEET	1/1	UNIT	MM	投影法	DAY