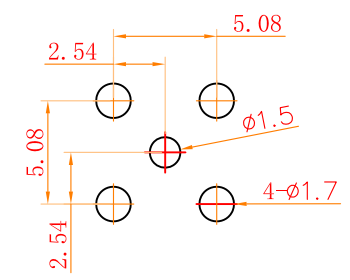
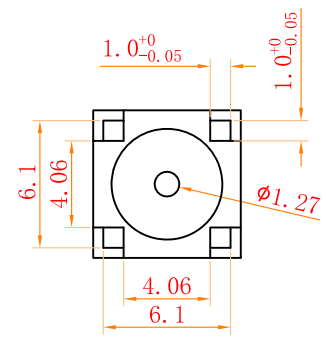
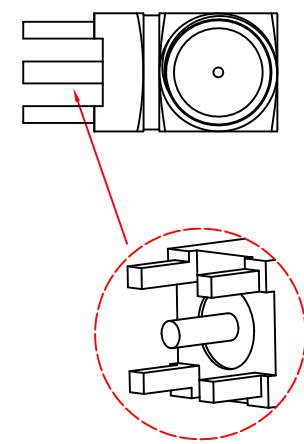
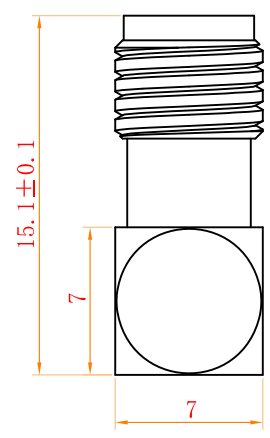
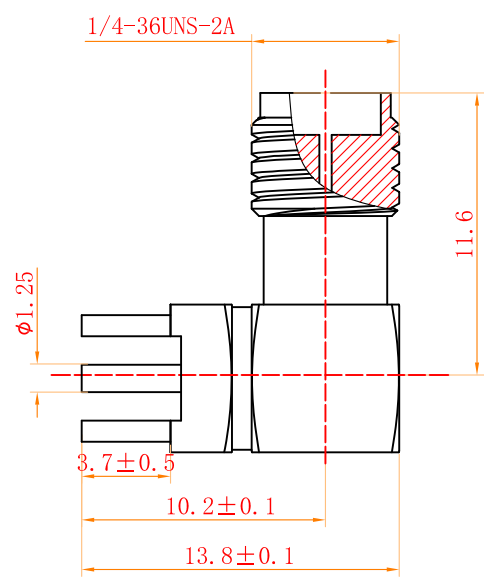



DRAWING

Product Type Connector
 P/N:AC-SMAF-W15
 -PCB



PCB MOUNTING HOLES

- 1.MATERIALS AND FINISHES :
 PLATING THICKNESS IN MICRO-INCHES
 BODY -BRASS,GOLD PLATING.
 CONTACT PIN-BERYLLIUM COPPER,GOLD PLATING
 INSULATOR - PTFE,MATERIAL.
- 2.IMPEDANCE:50OHM.
- 3.DIELECTRIC WITHSTANDING VOLTAGE:1000 VRMS ,MIN.
- 4.DURABILITY:500 CYCLES MIN.
- 5.TEMPERATURE RANGE:-65°C TO +165°C
- 6.VOLTAGE 35V .

Techology: RoHS.				 ASIAN CREATION COMMUNICATION CO.,LTD www.acantenna.com					
3									
2			P/No :	AC-SMAF-W15(1)	Qty	1PCS	DR.	GT.Z	
1					Wet	9g	VENDER	BEN	
NO.	PARTNAME	DESCRIPTION	SPEC:		REV	A	CHKD	BEN	
			DWG NO.	1/1	SHEET	MM	投影法	MM	DAY