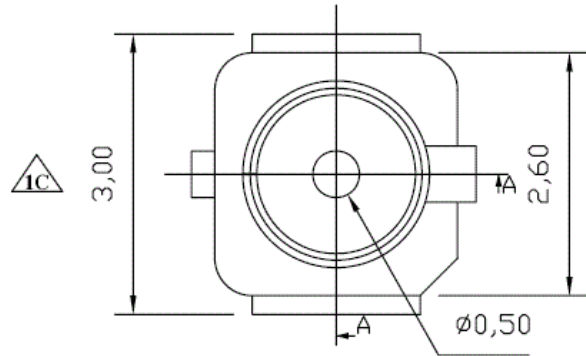
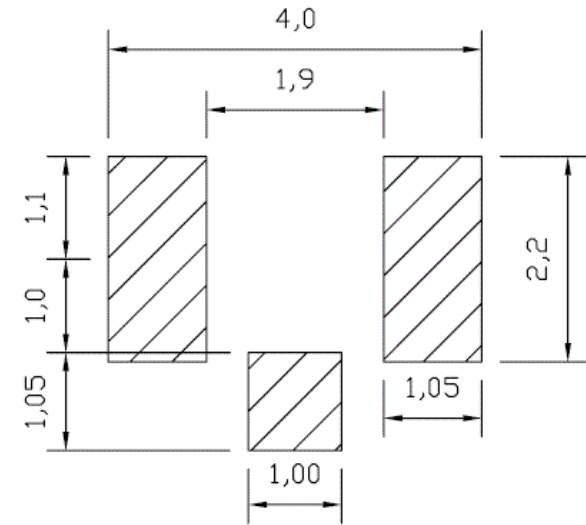
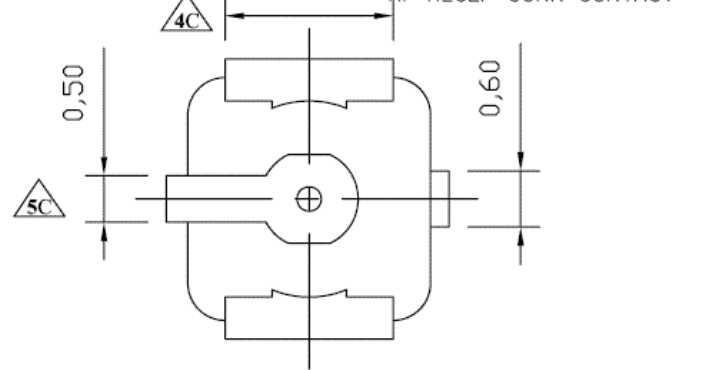
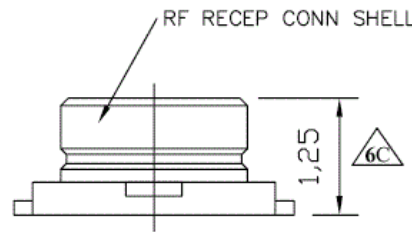
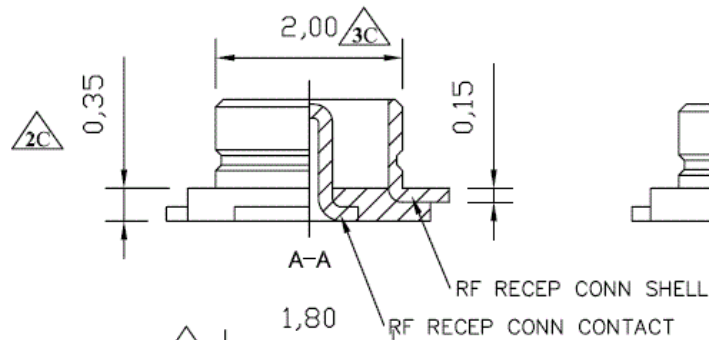


RoHS COMPLIANT



NOTE: UNLESS OTHERWISE SPECIFIED
 1. DIMENSION SHALL BE INTERPRETED PER ANSI Y14.5M-1994
 2. CONTACT MATERIAL: COPPER ALLOY.
 3. INSULATOR: HIGH TEMPERATURE PLASTIC UL94V-0.
 4. CONTACT FINISH: GOLD 5u" ON MATING AREA, GOLD FLASH ON SOLDER TAILS ALL OVER 50u" NICKEL(Min) UNDER PLATED



RECOMMENDED PCB LAYOUT

※標註 $\triangle c$ 符號為重點檢驗尺寸

設計 DR. Hayato 2009/12/16	核准 APP. Jerry 2009/12/16	容許公差 TOLERANCE .XXX ±0.05 .XX ±0.10 .X ±0.25 X ±0.38 ANG ±3°	品名 ARTICLE U.FL P.C.B MOUNT
版本說明 REVISION NOTE		圖號 DWG NO. 6474011114	單位 UNIT mm
		比例 SCALE 4/1	張數 SHEET 1/1
		版本 REV. A	