

CH03-FB - 3FF MICRO SIM CARD CONNECTOR SMT, SLIDE IN TYPE, WITHOUT SWITCH, WITH HALF COVER, 6 OR 8 CONTACTS

FEATURES

1. GENERAL CHARACTERISTICS
 DIMENSIONS: 13.40L x 13.40W x 2.40H mm
 WEIGHT: APPROX. 0.5g
 CONTACT PRINCIPLE: FRICTION TECHNOLOGY
 OPERATING POSITION: SHAFT UP / DOWN / HORIZONTAL
 MOUNTING SYSTEM: SMT TYPE (WITHOUT POST)
 DURABILITY: 5,000 CYCLES MIN.

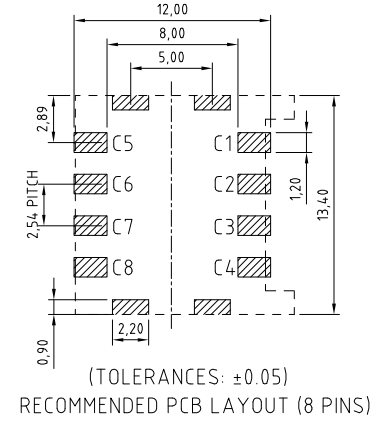
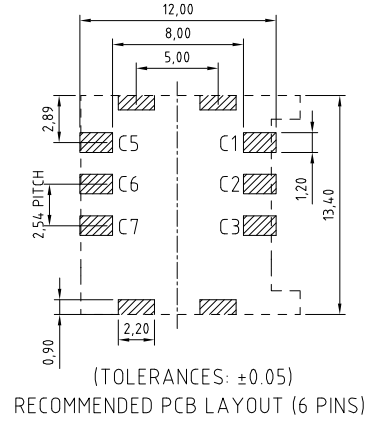
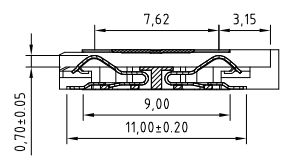
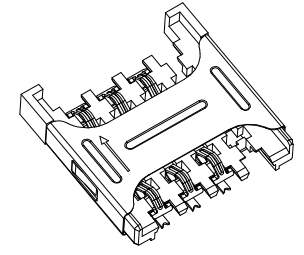
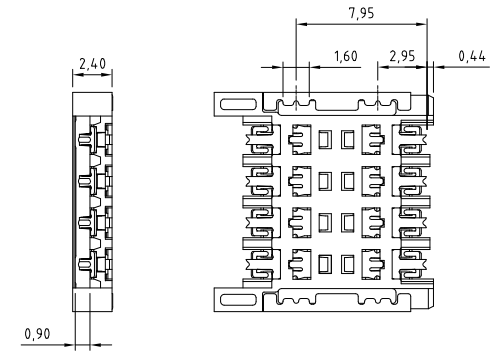
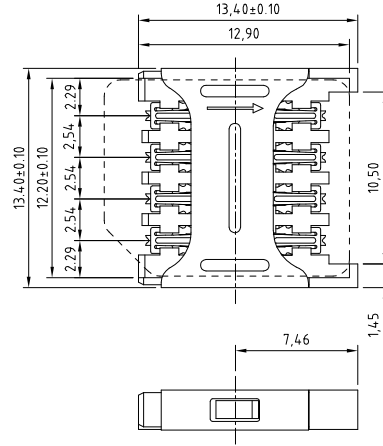
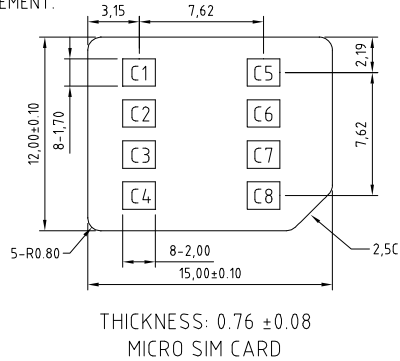
2. MECHANICAL CHARACTERISTICS
 INSULATION MATERIAL: THERMOPLASTIC, UL 94V-0
 CONTACT MATERIAL: PHOSPHOR BRONZE
 SHELL MATERIAL: STAINLESS STEEL (SUS304)
 CONTACT PLATING: 3U" GOLD OVER NICKEL ON CONTACT POINT AND
 SOLDER TAIL (PCB SIDE), NICKEL ON THE REST.
 METAL SHELL HOLD DOWNS PLATING: 1U" GOLD OVER NICKEL

3. ELECTRICAL CHARACTERISTICS
 NUMBER OF CONTACTS: 6, 8 PINS (OPTIONAL)
 CONTACT RESISTANCE: 50m OHMS TYP. 100m OHMS MAX.
 INSULATION RESISTANCE: >1000M OHMS / 500V DC
 DIELECTRIC WITHSTANDING VOLTAGE: 500V AC RMS, 1 MINUTE

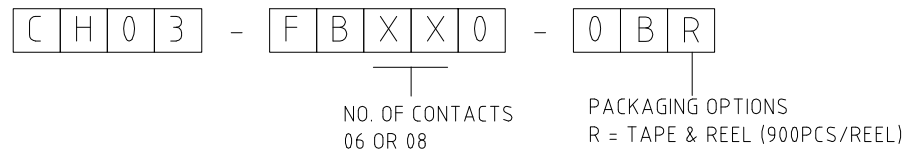
4. SOLDERABILITY
 WAVE: NOT APPLICABLE
 IR REFLOW: 260°C, 10 SEC. MAX.
 MANUAL SOLDERING: 360°C, 3 SEC. MAX.

5. ENVIRONMENTAL CHARACTERISTICS
 OPERATING TEMPERATURE: -40°C ~ +85°C
 OPERATING HUMIDITY: 10% ~ 95% RH
 STORAGE TEMPERATURE: -40°C ~ +85°C
 STORAGE HUMIDITY: 10% ~ 95% RH

NOTES:
 1. ACCEPTABLE SIM CARD SIZE SHOULD MEET GSM 11.11 SPECIFICATION REQUIREMENT.



HOW TO ORDER



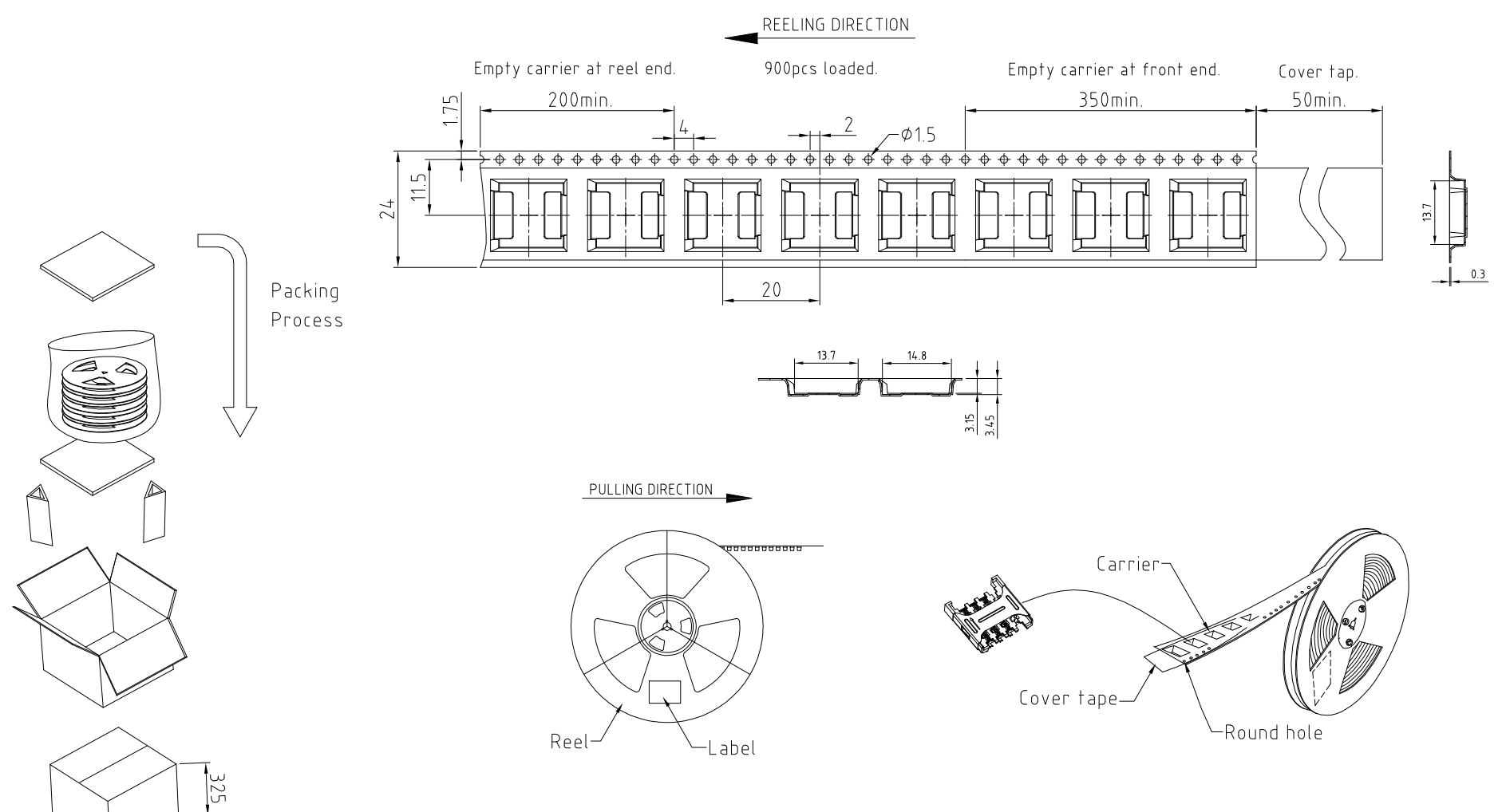
REV. DATE & DRN
 10 19/05/11 - NYW RELEASE
 11 08/10/12 - NYW
 DRAWING MODIFICATION.
 12 11/01/12 - NYW
 AMEND CONTACT PLATING.

Scale: 3:1	THIRD ANGLE	Unstated Tolerances: XX ± 0.15	Material: SEE NOTE
Drawn: NYW			
App'd: XXXX	Title: SIM CARD ACCEPTOR		NOT TO SCALE
Date: 1 JAN '13	Revision: 1.2	Unit: mm	

THIS DRAWING IS CONFIDENTIAL AND MUST NOT BE COPIED OR DISCLOSED WITHOUT WRITTEN CONSENT

Type: CH03-FB
CH03-FB
Drawing Number:
Sheet 1 of 2
Drawing © E and O E

CH03-FB - PACKAGING DRAWING



- NOTES:
1. REEL DIA.: 33CM.
 2. 900PCS PER REEL, GROSS WEIGHT: 0.77KG.
 3. 10 REELS PER FULL CARTON, GROSS WEIGHT: 7.7KG.

REV. DATE & DRN
10/02/06/11 - NYW RELEASE

	THIRD ANGLE	Unstated .X .XX .XXX X.°	Tolerances: ±0.15 ±0.10 ±0.05 ±1.5°	Material SEE NOTE
Drawn: NYW				
App'd: XXX	Title: PACKAGING			NOT TO SCALE
Date: 2 JUN '11	Revision: 1.0			Unit: mm

www.gradconn.com

THIS DRAWING IS CONFIDENTIAL AND MUST NOT BE COPIED OR DISCLOSED WITHOUT WRITTEN CONSENT

Type: CH03-FB
CH03-FB
Drawing Number:
Sheet 2 of 2
Drawing © E and O E