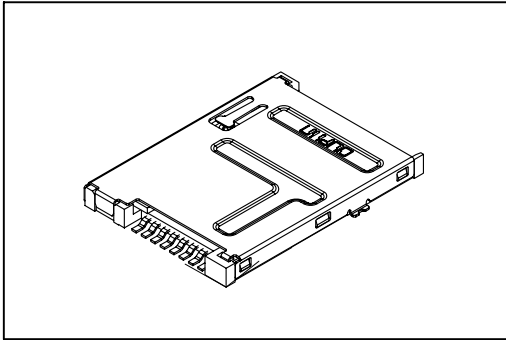


# 9002 Series

## SIM Card Connector Push Push SMD Type



### Material:

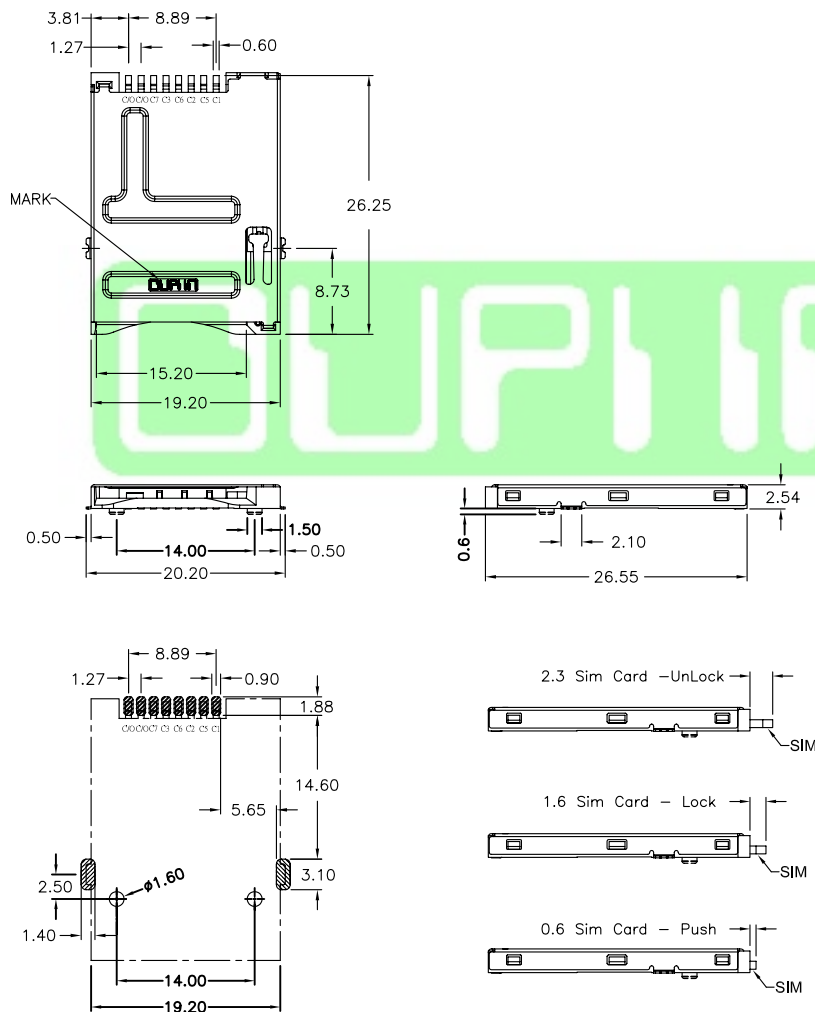
Housing: High Temperature Plastic UL94V-0.  
 Contacts: Phosphor Bronze.  
 Shell: Metal.

### Electrical Characteristics:

Current Rating: 1 A.  
 Dielectric Withstanding Voltage: AC 500V .  
 Insulator Resistance: 1000MΩ min.  
 Contact Resistance: 100mΩ max.  
 Operating Temperature: -40°C~+85°C.

### Features:

\* 6 Contacts.  
 Mates with: Sim Card.



Recommended P.C.Board Layout  
 (Tolerance:  $\pm 0.10$ )

## Ordering information

<u>9002-</u>	<u>M</u>	<u>06</u>	<u>C</u>	<u>10</u>	<u>N</u>	<u>T</u>
Series	Style	Sim Card Position	C: Selective Gold Plated	10: 10 $\mu$ "	N: Without Posts P: With Posts	U: Tube Package T: Tape & Reel Package