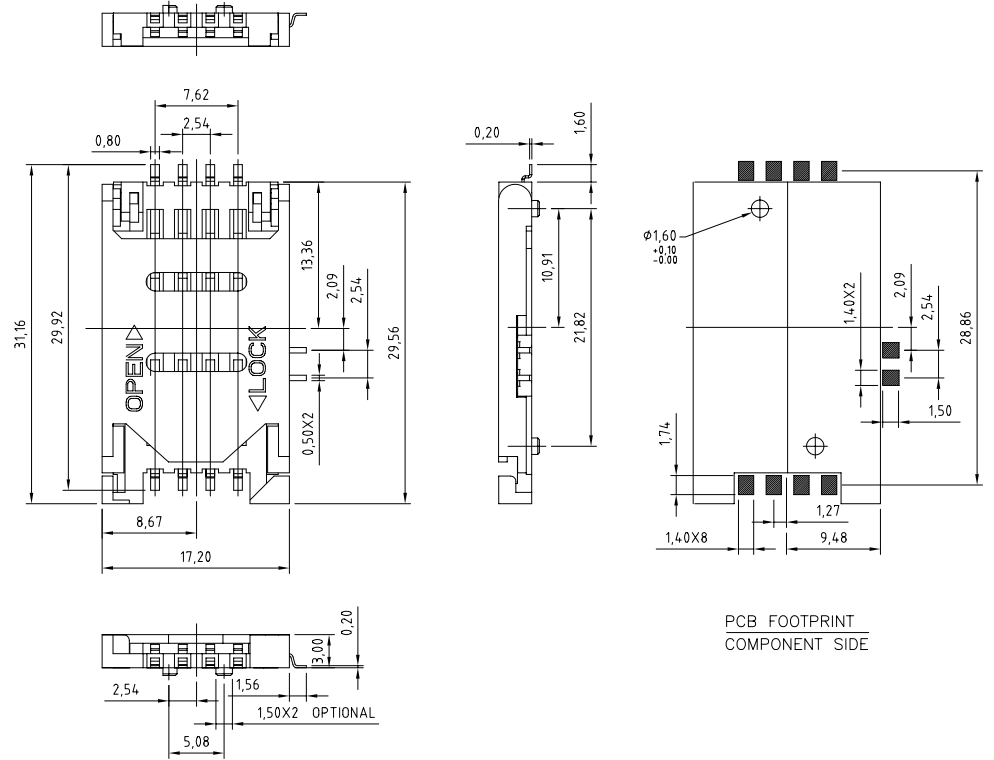
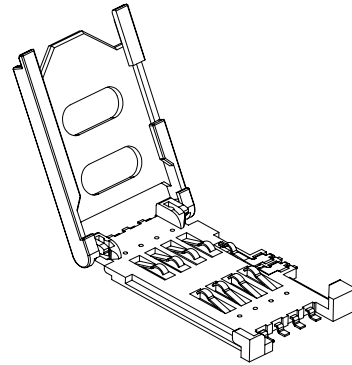


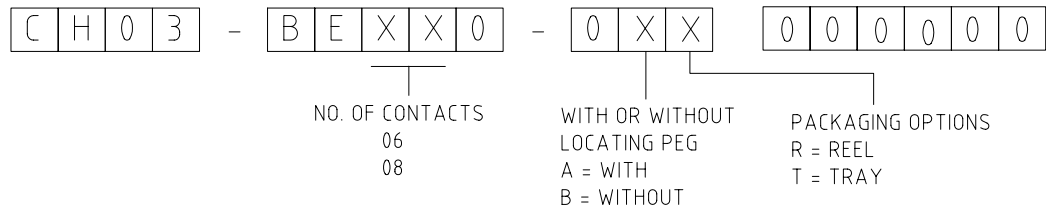
CH03-BE - SIM CARD HOLDER WITH SWITCH 6 OR 8 PINS

FEATURES

- GENERAL CHARACTERISTICS**
 DIMENSIONS: 29.60L x 17.20W x 3.00H mm
 WEIGHT: APPROX. 1.4g
 CONTACT PRINCIPLE: FRICTION TECHNOLOGY
 OPERATING POSITION: SHAFT UP / DOWN / HORIZONTAL
 MOUNTING SYSTEM: SMT TYPE
 DURABILITY: 10,000 CYCLES MIN.
- MECHANICAL CHARACTERISTICS**
 INSULATION MATERIAL: THERMOPLASTIC, UL 94V-0
- ELECTRICAL CHARACTERISTICS**
 NUMBER OF CONTACTS (OPTIONAL): 6, 8 PINS
 CONTACT RESISTANCE: 50M OHMS TYP. 100M OHMS MAX.
 INSULATION RESISTANCE: > 1000M OHMS / 500V DC
 SWITCH TYPE: BLADE
 OPERATION: CLOSED ON LOCK POSITION
- SOLDERABILITY**
 WAVE: NOT APPLICABLE
 VAPORPHASE: 215°C, 30 SEC. MAX.
 IR REFLOW: 230°C, 15 SEC. MAX.
 MANUAL SOLDERING: 360°C, 3 SEC. MAX.
- ENVIRONMENTAL CHARACTERISTICS**
 OPERATING TEMPERATURE: -40°C ~ +85°C
 OPERATING HUMIDITY: 10% ~ 95% RH
 STORAGE TEMPERATURE: -40°C ~ +85°C
 STORAGE HUMIDITY: 10% ~ 95% RH
 THERMAL SHOCK -40°C ~ +85°C, 5 CYCLES
 DAMP HEAT: 40°C, 90% RH, 500 HR
 SALT MIST: 35°C, 5%, NaCl, 48 HR



HOW TO ORDER



REV. DATE & DRN
10 14/09/04 - NYW NEW

Scale: 2:1	THIRD ANGLE	Unstated Tolerances: 0 Dec Places 1 Dec Places 2 Dec Places 3 Dec Places	Material SEE NOTE
Drawn: NYW			
App'd: XXXX	Title SIM CARD ACCEPTOR		NOT TO SCALE
Date: 14 SEP '04	Finish:		Unit: mm

www.gradconn.com

THIS DRAWING IS CONFIDENTIAL AND MUST NOT BE COPIED OR DISCLOSED WITHOUT WRITTEN CONSENT

Type: CH03-BE
CH03-BE
Drawing Number:
Sheet 1 of 1
Drawing © E and O E