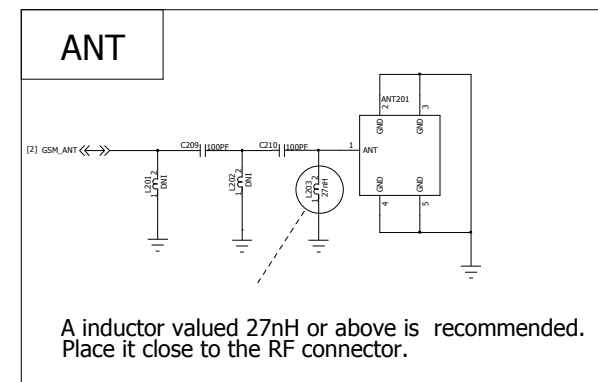
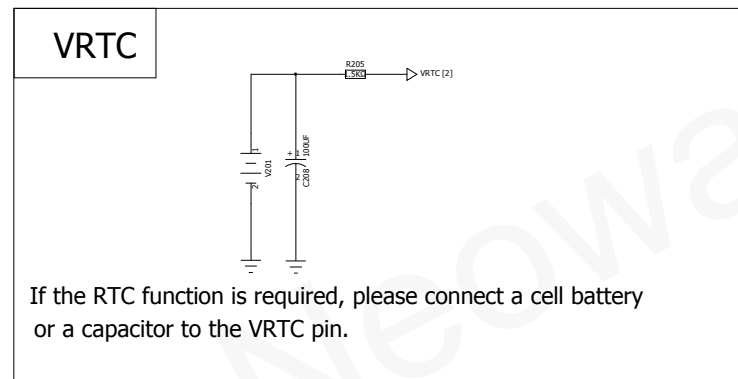
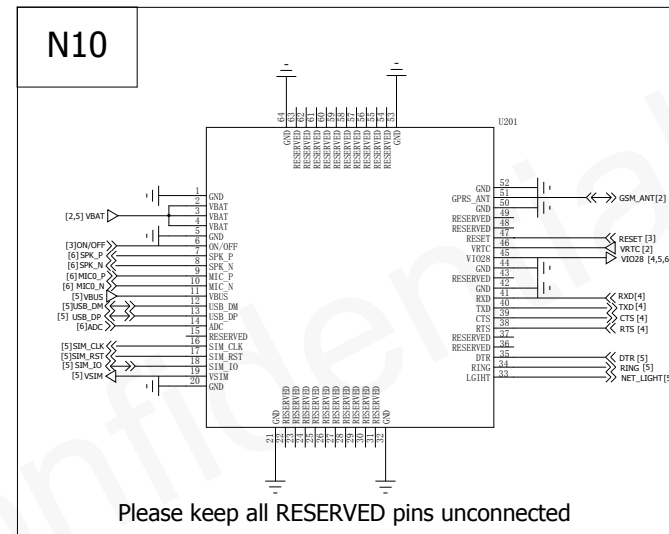
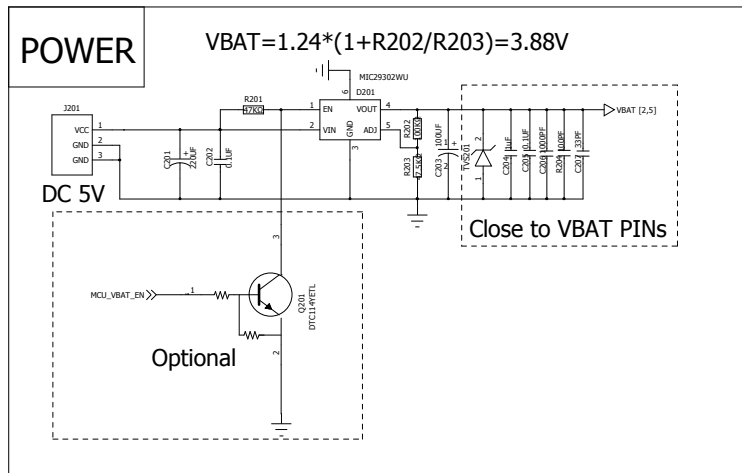


# REVISION HISTORY

REVISION	DESCRIPTION OF CHANGE	DATE
A	INITIAL	20170506

Neoway Confidential

REVISION RECORD			
LTR	ECO NO:	APPROVED:	DATE:



COMPANY: Neoway				
TITLE: N10 Reference Design				
DRAWN: LHX	DATED: 20170428	CODE:	SIZE: A2	REV: A
CHECKED:	DATED:	DRAWING NO: V1.0	SCALE:	REV:
QUALITY CONTROL:	DATED:	SHEET: 6		REV:
RELEASED:	DATED:	SHEET: 6		

REVISION RECORD			
LTR	ECO NO:	APPROVED:	DATE:

### ON/OFF

Power ON by switching

Power ON automatically

Power ON by external MCU, high level enable

Three reference designs for ON/OFF

### RESET

Reset by switching

RESET by external MCU, high level enable

If MCU\_VIO > 2.8V, please connect VB to VIO28  
If MCU\_VIO < 2.8V, please connect VB to MCU\_VIO

RESET by external MCU, low level enable

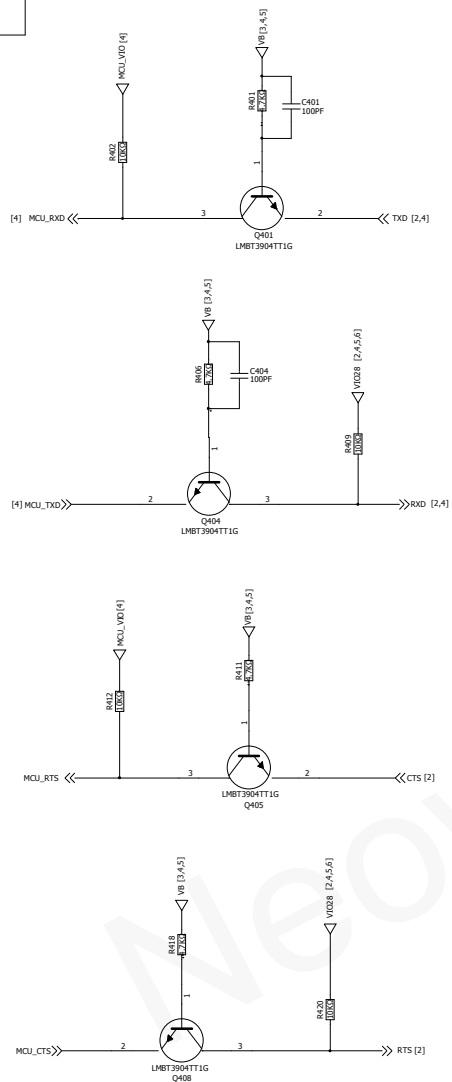
Three reference designs for RESET

COMPANY: Neoway			
TITLE: N10 Reference Design			
DRAWN: LHX	DATED: 20170428	CODE:	REV: A
CHECKED:	DATED:	SIZE: A2	DRAWING NO: V1.0
QUALITY CONTROL:	DATED:	SCALE:	SHEET: 6
RELEASED:	DATED:		

REVISION RECORD			
LTR	ECO NO:	APPROVED:	DATE:

# UART

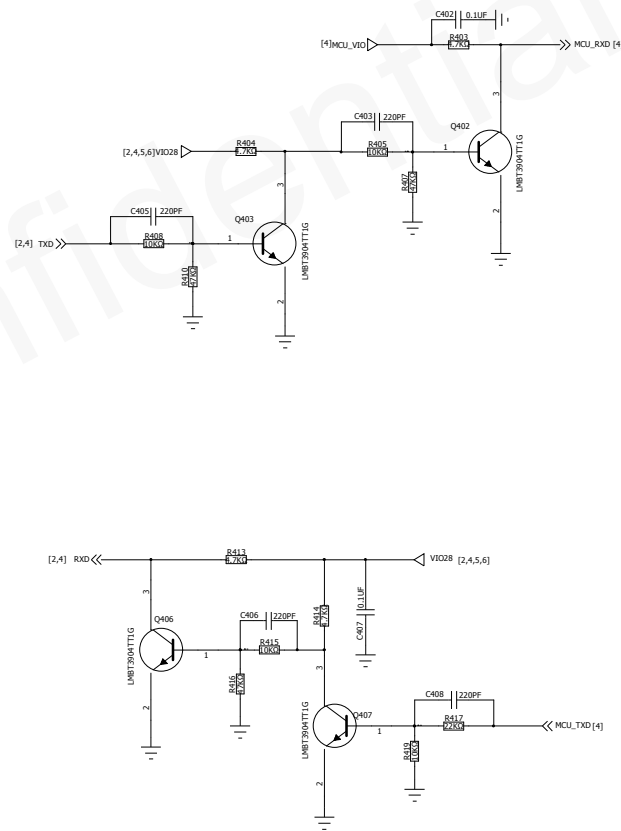
## Level shifting



If MCU\_VIO > 2.8V, please connect VB to VIO28  
 If MCU\_VIO < 2.8V, please connect VB to MCU\_VIO

# UART

Another reference design for TX and RX level shifting  
 Strongly recommended for its better ESD performance



COMPANY: Neoway

TITLE: N10 Reference Design

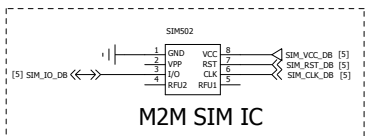
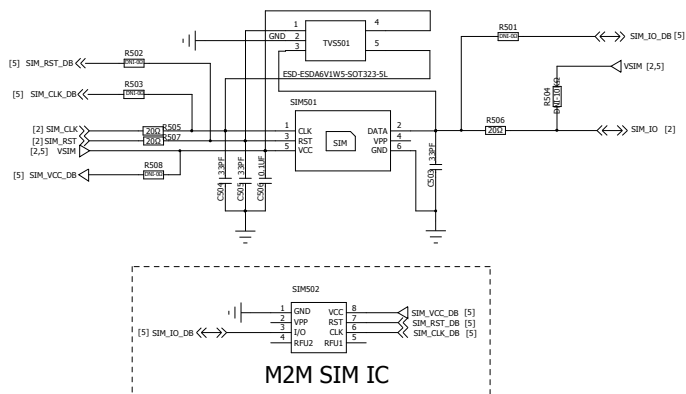
DRAWN: LHX	DATED: 20170428
CHECKED:	DATED:
QUALITY CONTROL:	DATED:
RELEASED:	DATED:

CODE:	SIZE: A2	DRAWING NO: V1.0	REV: A
SCALE:			SHEET: 4/6

REVISION RECORD			
LTR	ECO NO:	APPROVED:	DATE:

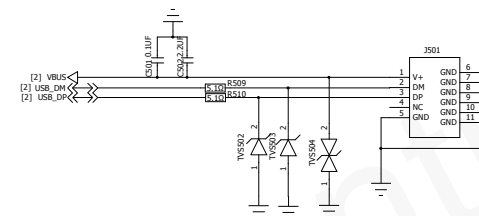
### SIM

A TVS diode is required for SIM card circuit



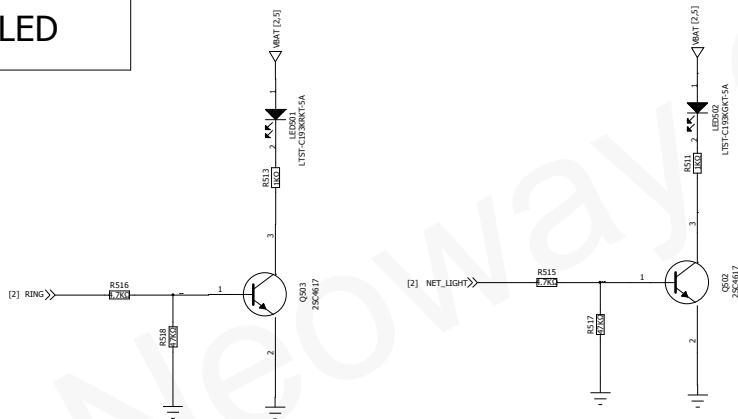
### USB

A TVS diode is required for USB circuit  
Series resistors are strongly recommended.



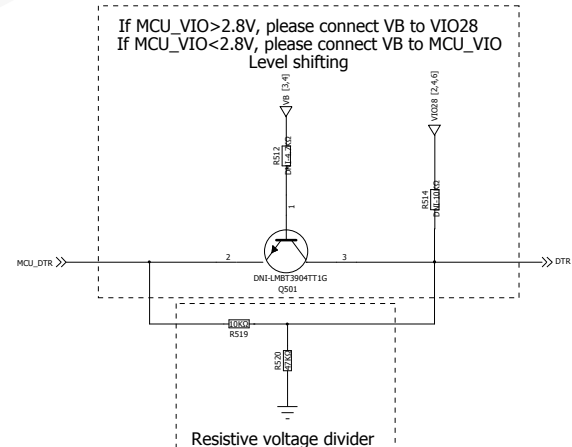
### LED

Use a general purpose BJT to drive the LED



### DTR

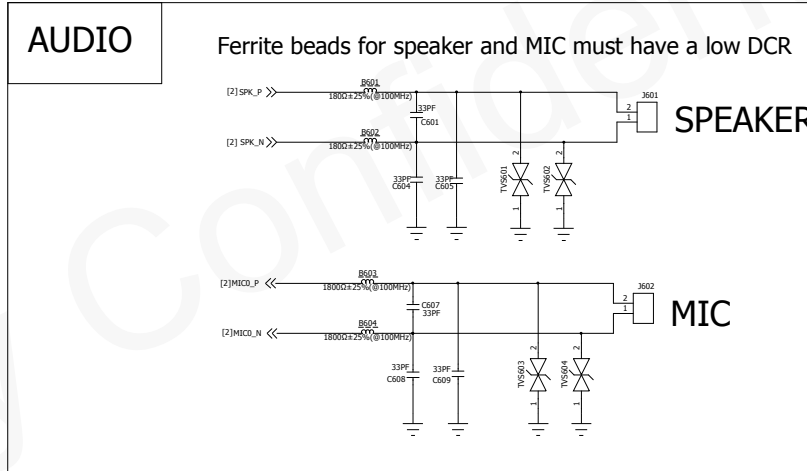
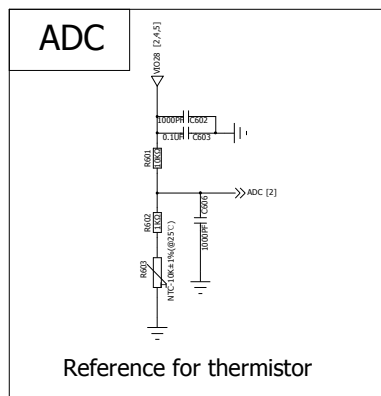
If MCU\_VIO > 2.8V, please connect VB to VIO28  
If MCU\_VIO < 2.8V, please connect VB to MCU\_VIO  
Level shifting



Two reference designs for DTR

COMPANY: Neoway			
TITLE: N10 Reference Design			
DRAWN: LHX	DATED: 20170428	CODE:	SIZE: A2
CHECKED:	DATED:	DRAWING NO: V1.0	REV: A
QUALITY CONTROL:	DATED:	SCALE:	SHEET: 5/6
RELEASED:	DATED:		

REVISION RECORD			
LTR	ECO NO:	APPROVED:	DATE:



COMPANY: Neoway			
TITLE: N10 Reference Design			
CODE:	SIZE: A2	DRAWING NO: V1.0	REV: A
SCALE:		SHEET: 6 6	

DRAWN: LHX	DATED: 20170428
CHECKED:	DATED:
QUALITY CONTROL:	DATED:
RELEASED:	DATED: