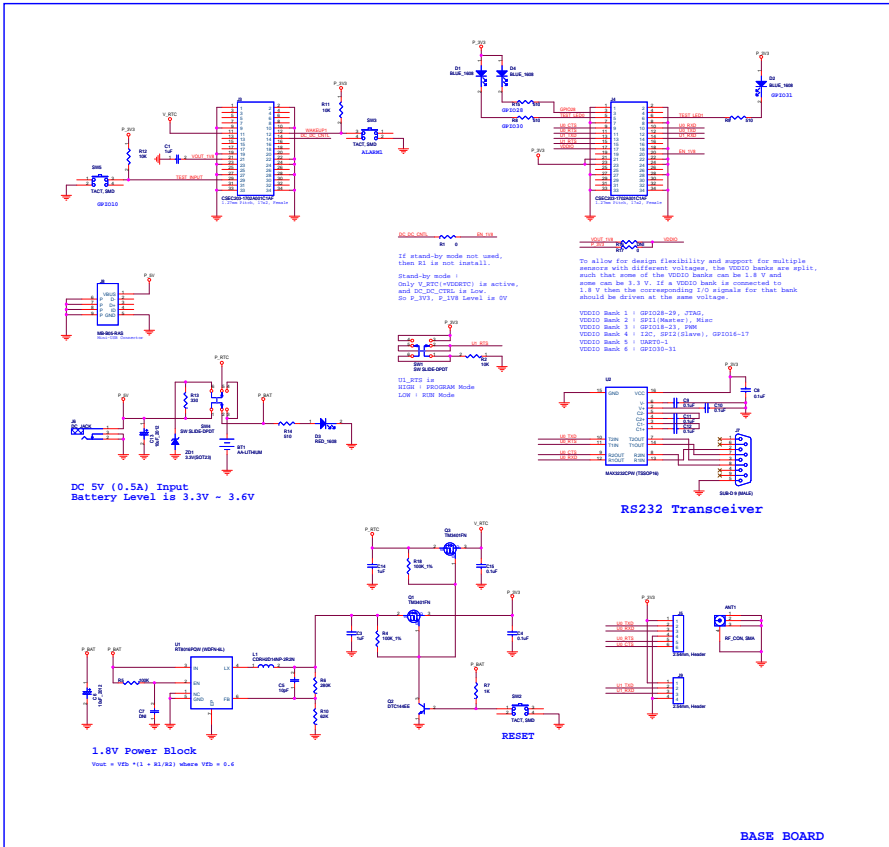
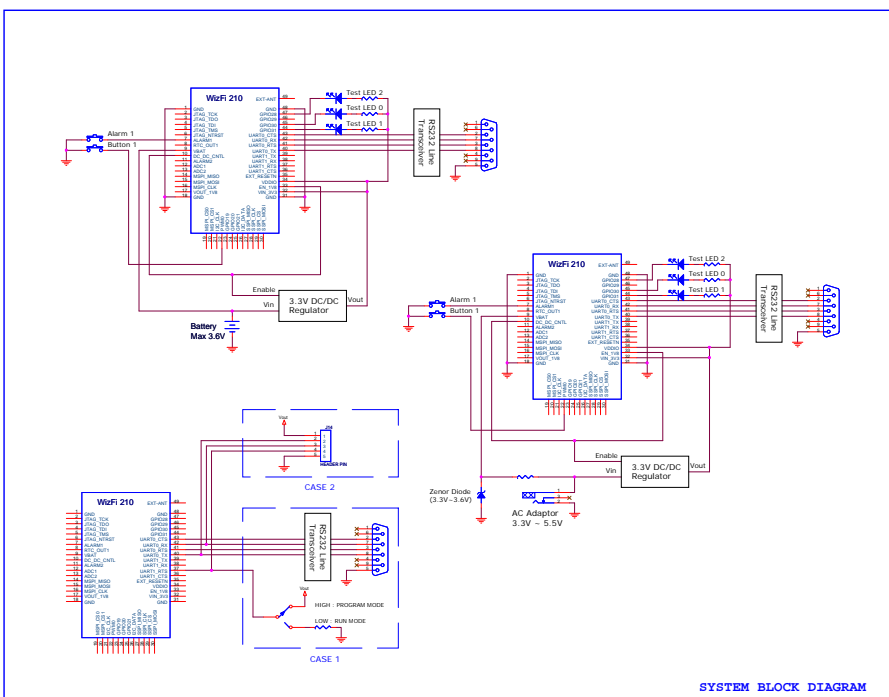


INTERFACE BOARD



BASE BOARD



SYSTEM BLOCK DIAGRAM